



EVEREST 2018 USD EQUIPMENT PRICE LIST

EFFECTIVE JANUARY 1ST, 2018



EVEREST EQUIPMENT CO.

HEAVY- DUTY SNOW & ICE CONTROL

1077 Westmount Street, Ayer's Cliff, QC, Canada J0B 1C0

Tel.: 819-838-4257

Fax: 819-838-5653

www.everestequipment.com



TABLE OF CONTENTS	PAGE
KBS SINGLE AXLE CROSS-MEMBER DUMP BODIES	3
KBT TANDEM AXLE CROSS-MEMBER DUMP BODIES	
MSL SINGLE AXLE MONO-SHELL DUMP BODIES	4
MS SINGLE AXLE MONO-SHELL DUMP BODIES	
MR TANDEM AXLE MONO-SHELL DUMP BODIES	
DUMP BODY OPTIONS	5
UNDERBODY HOISTS	6
TELESCOPIC HOIST KITS (NON-INVERTED)	7
DBS & DBSH SPREADER & DUMP BODIES	8
SDS SIDE DUMP SPREADER BODIES	9
HEAVY DUTY ONE-WAY PLOWS	10
ONE-WAY PLOW SPECIFICATIONS	11
LIGHT DUTY TRIP EDGE REVERSIBLE PLOWS	
LIGHT DUTY TRIP MOLDBOARD REVERSIBLE PLOWS	12
LIGHT DUTY REVERSIBLE PLOW OPTIONS	
MEDIUM DUTY TRIP EDGE REVERSIBLE PLOWS	
MEDIUM DUTY TRIP MOLDBOARD REVERSIBLE PLOWS	13
MEDIUM DUTY REVERSIBLE PLOW OPTIONS	
HEAVY DUTY TRIP EDGE REVERSIBLE PLOWS	
HEAVY DUTY TRIP MOLDBOARD REVERSIBLE PLOWS	14
HEAVY DUTY REVERSIBLE PLOW OPTIONS	15
HITCHES	16
CHASSIS DATA FORM	17
QUICK COUPLER OPTIONS	18
WING SYSTEMS	19
WINGS	20
STAINLESS STEEL SPREADERS & DUMP BODIES	21
CDS CENTER CONVEYOR BODIES	23

NOTE: ALL PRICES ARE IN AMERICAN DOLLARS, F.O.B. AYER'S CLIFF, QC, CANADA.
EVEREST EQUIPMENT RESERVES THE RIGHT TO CHANGE PRICES WITHOUT
PRIOR NOTIFICATION.



KBS SINGLE AXLE CROSS MEMBER DUMP BODIES

MODEL	YARDAGE	FLOOR	PART No.	2018 LIST
KBS10C2636-H3	(05-07)	3/16" MILD	1A3577	\$9,595.00
KBS10H2636-H3	(05-07)	3/8" MILD	1A7616	\$10,194.00
KBS10C3039-H3	(06-08)	3/16" MILD	1A3475	\$9,915.00
KBS10H3039-H3	(06-08)	3/8" MILD	1A9027	\$10,542.00
KBS10C3642-H3	(07-09)	3/16" MILD	1A4165	\$10,710.00

KBS FLOOR UPGRADES

DESCRIPTION	2018 LIST
BUILT WITH 1/4" MILD STEEL FLOOR	\$349.00
BUILT WITH 1/4" ABRASION RESISTANT FLOOR (AR400)	\$560.00
UPGRADE TO "D" SPECIFICATION (1/4" TAILGATE & 1/4" AR400 FL)	\$754.00

KBT TANDEM AXLE CROSS MEMBER DUMP BODIES

MODEL	YARDAGE	FLOOR	PART No.	2018 LIST
KBT13D3642-H5	(10.1-11.8)	1/4" AR400	1A4871	\$17,605.00
KBT13D4248-H5	(11.8-13.5)	1/4" AR400	1A8694	\$17,746.00
KBT13D4854-H5	(13.5-15.1)	1/4" AR400	1A7408	\$17,960.00
KBT13.5D3642-H5	(10.5-12.3)	1/4" AR400	1A9033	\$18,016.00
KBT13.5D4248-H5	(12.3-14)	1/4" AR400	1A8935	\$18,595.00
KBT13.5D4854-H5	(14-15.8)	1/4" AR400	1A7830	\$19,976.00
KBT14D3642-H5	(10.9-12.7)	1/4" AR400	1A8945	\$18,552.00
KBT14D4248-H5	(12.7-14.5)	1/4" AR400	1A4822	\$18,708.00

SEE PAGE 5 FOR DUMP BODY OPTIONS, SEE PAGES 6 & 7 FOR HOIST KITS

NOTE: "H1" = TELESCOPIC HOIST. "H3" & "H5" = UNDERBODY HOIST. CYLINDER DOG HOUSE IS STANDARD WITH "H1" HOIST. STRAIGHT FRONT HEADBOARD IS STANDARD WITH "H3" & "H5" HOIST. "H5" HOIST NOT AVAILABLE OVER 15' LENGTH. CABGUARDS & HOIST KITS ARE NOT INCLUDED IN THE ABOVE BODY PRICING. "T" DENOTES A TELESCOPIC HOIST IS REQUIRED. TO INDICATE THIS OPTION, SIMPLY INSERT THE "T" AFTER THE "KBS" OR THE "KBT" IN THE MODEL NOMENCLATURE.



MSL SINGLE AXLE MONO-SHELL DUMP BODY

MODEL	YARDAGE	FLOOR	PART No.	2018 LIST
MSL09B1620-H10	(03-04)	3/16" MILD	1A8305	\$9,254.00

MS SINGLE AXLE MONO-SHELL DUMP BODIES

MODEL	YARDAGE	FLOOR	PART No.	2018 LIST
MS10C2636-H1	(06-08)	3/16" MILD	14A0552	\$12,361.00
MS10C3039-H1	(08-10)	3/16" MILD	1A8554	\$12,685.00
MS10C3642-H1	(09-11)	3/16" MILD	1A8555	\$12,810.00
MS11C2636-H1	(06-08)	3/16" MILD	14A0542	\$13,149.00
MS11C3039-H1	(08-10)	3/16" MILD	1A8564	\$13,427.00
MS11C3642-H1	(09-11)	3/16" MILD	1A8565	\$13,563.00
MS12C2636-H1	(07-09)	3/16" MILD	1A8567	\$13,855.00
MS12C3039-H1	(09-11)	3/16" MILD	1A8569	\$14,151.00
MS12C3642-H1	(10-12)	3/16" MILD	1A8570	\$14,304.00

MS FLOOR UPGRADES

DESCRIPTION	2018 LIST
BUILT WITH 1/4" MILD STEEL FLOOR	\$349.00
BUILT WITH 1/4" ABRASION RESISTANT FLOOR (AR400)	\$560.00
UPGRADE TO "D" SPECIFICATION (1/4" TAILGATE & 1/4" AR400 FL)	\$754.00

MR TANDEM AXLE MONO-SHELL DUMP BODIES

MODEL	YARDAGE	FLOOR	PART No.	2018 LIST
MR12D3642-H1	(10-12)	1/4" AR400	1A4049	\$16,599.00
MR13D4248-H1	(12-14)	1/4" AR400	1A9281	\$16,861.00
MR13D4854-H1	(14-16)	1/4" AR400	14A0491	\$17,109.00
MR13.5D4248-H1	(12-14)	1/4" AR400	1A4136	\$17,109.00
MR13.5D4854-H1	(14-16)	1/4" AR400	1A4132	\$17,371.00
MR14D4248-H1	(12-14)	1/4" AR400	1A9156	\$17,371.00
MR14D4854-H1	(14-16)	1/4" AR400	1A9144	\$17,587.00
MR14D5460-H1	(16-18)	1/4" AR400	14A0488	\$17,865.00
MR15D4248-H1	(14-16)	1/4" AR400	1A9099	\$18,391.00
MR15D4854-H1	(16-18)	1/4" AR400	1A8711	\$18,619.00
MR16D4248-H1	(14-16)	1/4" AR400	1A7659	\$19,361.00
MR16D4854-H1	(16-18)	1/4" AR400	1A4230	\$19,573.00
MR17D4248-H1	(16-18)	1/4" AR400	1A3589	\$20,964.00
MR17D4854-H1	(18-20)	1/4" AR400	1A9288	\$21,440.00
MR18D4248-H1	(16-18)	1/4" AR400	1A3703	\$22,089.00
MR18D4854-H1	(18-20)	1/4" AR400	1A4130	\$22,536.00

SEE PAGE 5 FOR DUMP BODY OPTIONS, SEE PAGES 6 & 7 FOR HOIST KITS

NOTE: "H1" = TELESCOPIC HOIST. "H3" & "H5" = UNDERBODY HOIST. CYLINDER DOG HOUSE IS STANDARD WITH "H1" HOIST. STRAIGHT FRONT HEADBOARD IS STANDARD WITH "H3" & "H5" HOIST. "H5" HOIST NOT AVAILABLE OVER 15' LENGTH. CABGUARDS & HOIST KITS ARE NOT INCLUDED IN THE ABOVE BODY PRICING.



DUMP BODY OPTIONS

DESCRIPTION	PART No.	2018 LIST
CABGUARD 24" X 84" WIDE (MSL BODY)	1S8149	\$611.00
CABGUARD 24" X 88" WIDE, 10 GAUGE	1A1929	\$740.00
CABGUARD 30" X 88" WIDE, 10 GAUGE	1A0655	\$754.00
CABGUARD 36" x 88" WIDE, 10 GAUGE	1A5732	\$859.00
CABGUARD 42" x 88" WIDE, 10 GAUGE	1A0656	\$859.00
AIRGATE KIT	6B1562	\$417.00
APRON, 7 GAUGE 6" (BOLT-ON)	14A0121	\$442.00
APRON, 7 GAUGE 8" (BOLT-ON)	1A9535	\$442.00
APRON, 7 GAUGE 10" (BOLT-ON)	1A9985	\$442.00
APRON, 7 GAUGE 12" (BOLT-ON)	1A6880	\$442.00
COAL DOOR LEVER TYPE	1A1227	\$278.00
COAL DOOR CAM / PERPENDICULAR TYPE	1A4200	\$349.00
COAL DOOR INSTALLATION (PER DOOR)	SPECIFY	\$266.00
LADDER (FOLD-UP STYLE)	1A2360	\$250.00
LADDER RUNGS (2 STEPS)	7P6285, 7P6286	\$54.00
LADDER HANDLE (OPTIONAL)	7P6287	\$22.00
SIDE BOARD SET PER BOX FOOT (STEEL)	VARIES	\$97.00
TARP RODS 3/4" ROUND	VARIES (1) PAIR	\$75.00
HORIZONTAL BRACING PER BOX FOOT	VARIES	\$71.00
OVAL LIGHT HOLES IN REAR POST	VARIES (1) PAIR	\$153.00
SHOVEL HOLDER (LOOSE)	7S4498	\$101.00
3-WAY GATE KIT (LOOSE)	2A1117	\$1,300.00
3-WAY GATE KIT (INSTALLED)	2A1117	\$3,462.00
"SG"* VERTICAL TAILGATE	VARIES	\$379.00

*"SG" DENOTES A STRAIGHT GATE WHEN A 3-WAY TAILGATE IS REQUIRED. TO INDICATE THIS OPTION, SIMPLY INSERT THE "SG" AFTER THE "MR" OR "KBT" IN THE MODEL NOMENCLATURE.



UNDERBODY HOISTS

MODEL	PART No.	2018 LIST
UBDL1618DA	2A0895	\$3,552.00
UB1821DA	2A0078	\$6,236.00
UBLM1821DA*	2A0810	\$7,748.00
	*ONLY INSTALLED ON "KBS" STYLE BODIES	\$573.00
UB2824DA	2U0998	\$11,558.00

UNDERBODY HOIST OPTIONS

DESCRIPTION	PART No.	2018 LIST
TIE DOWN KIT (MEDIUM DUTY)	2A1114	\$171.00
TIE DOWN KIT (STANDARD)	5A1006	\$171.00
TIE DOWN KIT (HEAVY DUTY)	5A1004	\$171.00

NOTE: KINDLY USE THE CORRECT HOIST CODE WHEN ORDERING YOUR BODY & HOIST COMBINATION. THE HOIST CODE IS PLACED AT THE END OF YOUR MODEL NOMENCLATURE.

CODE	HOIST
H3	UB1721DA, UB1821DA, UBLM1821DA (USED ON SINGLE AXLE BODIES)
H5	UB2724DA, UB2824DA (USED ON TANDEM AXLE BODIES)
H10	UBDL1618DA (USED WITH MEDIUM DUTY LOW MOUNT DESIGN BODIES)

**TELESCOPIC HOIST KITS (NON-INVERTED)**

MODEL	PART No.	2018 LIST
10' MSL BODIES	2A1058 T090U03.5SA3 (6BO852)	\$3,321.00
10' BODIES	2A0972 T100U4.5SA3 (6BO355)	\$3,960.00
11'-12' BODIES	2A0580 T110U4.5SA3 (6BO351)	\$4,067.00
13'-14' BODIES	2A0466 T130U5.5SA3 (6BO306)	\$4,976.00
15' BODIES	2A0572 T140U5.5SA3 (6BO398)	\$5,111.00
16' BODIES	2A0477 T150U605SA4 (6BO359)	\$6,605.00
17' BODIES	2A0479 T170U6.5SA4 (6BO304)	\$6,778.00
18' BODIES	2A0465 T175U7SA4 (6BO535)	\$8,974.00

CYLINDER UPGRADES (ADD PRICE TO ABOVE HOIST KITS)

DESCRIPTION	PART No.	2018 LIST
"CS" STYLE CYLINDER (9'-12')*	VARIES	\$298.00
"CS" STYLE CYLINDER (13'-15')*	VARIES	\$298.00

*USE FOR HIGH SALT ENVIRONMENTS

D/A HOIST CYLINDER "H1" TYPE (9'-12')	VARIES	\$1,125.00
D/A HOIST CYLINDER "H1" TYPE (13'-15')	VARIES	\$1,167.00

TELESCOPIC HOIST BASE BASKETS (INCLUDED IN ABOVE HOIST KITS)

DESCRIPTION	PART No.	2018 LIST
BASE BASKET H1 4"-4.5"	2A0730	\$462.00
BASE BASKET H1 5"-5.5"	2A0176	\$502.00
BASE BASKET H1 6"-6.5"	2A0170	\$488.00
BASE BASKET H1 7"-7.5"	2A0492	\$567.00

BODY SAFETY PROPS (INCLUDED IN ABOVE HOIST KITS)

DESCRIPTION	PART No.	2018 LIST
BODY PROP SINGLE ARM TYPE	2A1215	\$177.00

NOTE: HOIST CODE IS "H1". PLACE CODE AT THE END OF THE MODEL NOMENCLATURE. THE HOIST KITS LISTED ABOVE COME COMPLETE WITH THE FOLLOWING ACCESSORIES: HOIST BASE BASKET, REAR HINGE, SAFETY PROP, & TELESCOPIC CYLINDER. THE ABOVE KITS PROVIDE DUMP ANGLES OF 45° to 50°. THE HOIST KITS ARE SUGGESTED BODY & HOIST COMBINATIONS. ALTERNATE COMBINATIONS ARE AVAILABLE ON A P.O.R. BASIS.



DBS & DBSH SPREADER & DUMP BODIES

MODEL	YARDAGE	PART No.	2018 LIST
DBS9.5K1520	(03-04)	5U1517	\$29,274.00
DBSH10G2834	(06-07)	5U2146	\$29,274.00
DBSH10.5G2834	(06-07)	5U2156	\$29,274.00
DBS14G4237	(11-13)	5U2195	\$41,232.00

OPTIONAL EQUIPMENT

DESCRIPTION	PART No.	2018 LIST
AIRGATE KIT	6B1562	\$417.00
APRON, 7 GAUGE 8" (BOLT-ON)	1A9535	\$442.00
APRON, 7 GAUGE 10" (BOLT-ON)	1A9985	\$442.00
APRON, 7 GAUGE 12" (BOLT-ON)	1A6880	\$442.00
COAL DOOR FLUSH MOUNT (LOOSE)	1A3815	\$347.00
COAL DOOR INSTALLATION (PER DOOR)	SPECIFY	\$266.00
LADDER (FOLD-UP STYLE)	1A2360	\$250.00
LADDER RUNGS (2 STEPS)	7P6285, 7P6286	\$54.00
LADDER HANDLE (OPTIONAL)	7P6287	\$22.00
SIDE BOARD SET PER BOX FOOT (STEEL)	VARIES	\$97.00
TARP RODS 3/4" ROUND (PAIR)	VARIES	\$75.00
OVAL LIGHT HOLES IN REAR POST	VARIES	\$153.00
SHOVEL HOLDER (LOOSE)	7S4498	\$101.00
POS-I-LOK SYSTEM UPGRADE (EXCEPT DBSK)	VARIES	\$1,895.00
DBSK C/M CABGUARD 9.5'	5A1462	\$1,563.00
DBSH C/M CABGUARD 10'-14'	5A0407	\$1,563.00
DBS POLY LINED CHUTE	5S1937	\$208.00
DBSH SPINNER DEFLECTOR (FIXED TYPE)	5S1682	\$444.00
DBSH SPINNER DEFLECTOR (HINGED TYPE)	7S1415	\$595.00
DBSK OIL TANK VERTICAL 16 GALLON	5A1471	\$595.00
DBSH OIL TANK SIDE MOUNT 35 GALLON	6A0080	\$690.00
DBSH OIL TANK VERTICAL 30 GALLON	5A0515	\$873.00
DBSK SCREEN PACKAGE 9.5'	5A1478	\$2,383.00
DBSH SCREEN PACKAGE 10'	5A1930	\$2,383.00
DBSH SCREEN PACKAGE 10.5'	5A1905	\$2,383.00
DBSH SCREEN PACKAGE 14'	5A2144	\$3,264.00
DBSH VIBRATOR (12 VOLT)	9BO783	\$2,327.00
DBSH VIBRATOR MOUNT KIT	5S2079	\$71.00
DBS 10 & 10.5 CORTEN WEAR PLATE 3/16"	VARIES	\$1,202.00
DBS 14' POLY LINER KIT 3/8" THICK	5A1969	\$2,008.00

NOTE: POLY KITS ARE DEALER INSTALLED. TIE DOWN KITS & MANUAL LOCK ARE INCLUDED WITH THE "DBS" BODY. "DBS" BODIES ARE NOT EQUIPPED WITH A HYDRAULIC VALVE.



SDS SIDE DUMP SPREADER BODIES

MODEL	YARDAGE	PART No.	2018 LIST
LSD09M1620-H10	(3.1-3.9)	7A6304	\$26,345.00
SDSL10W1520-H1		7U6328	\$30,359.00
SDS10W3039-H1	(6.8-8.8)	7U6118	\$31,776.00
SDS11W3039-H1	(7.1-9.7)	7U6243	\$35,526.00
SDS12W3850-H1	(7.8-10.1)	7U6457	\$41,077.00
SDS13W3850-H1	(11.2-15.8)	7U6185	\$40,234.00
SDS14W3850-H1	(12.1-16.8)	7U5879	\$40,234.00
SDS15W3850-H1	(14.3-18.3)	7U6210	\$43,595.00

OPTIONAL EQUIPMENT

DESCRIPTION	PART No.	2018 LIST
D/A HOIST CYLINDER "H1" TYPE (9'-12')	VARIES	\$1,125.00
D/A HOIST CYLINDER "H1" TYPE (13'-15')	VARIES	\$1,167.00
APRON, 7 GAUGE 8" (BOLT-ON)	7A6405	\$442.00
APRON, 7 GAUGE 10" (BOLT-ON)	7A5943	\$442.00
APRON, 7 GAUGE 12" (BOLT-ON)	7A5937	\$442.00
COAL DOOR FLUSH MOUNT	14A0201	\$278.00
COAL DOOR INSTALLATION (PER DOOR)	SPECIFY	\$266.00
LADDER (FOLD-UP STYLE)	14A0474	\$226.00
LADDER RUNGS (2 STEPS & HANDLE)	7P6285, 7P6286, 7P6287	\$75.00
SIDE BOARD SET PER BOX FOOT (STEEL)	VARIES	\$97.00
TARP RODS 3/4" ROUND	VARIES (1) PAIR	\$75.00
SHOVEL HOLDER (LOOSE)	7S4498	\$101.00
HI-TEMP TILT FLOOR WIPER	VARIES	\$214.00
3-WAY GATE KIT (LOOSE)	2A1117	\$1,300.00
3-WAY GATE KIT (INSTALLED)	2A1117	\$3,462.00
LSD SCREEN PACKAGE 9'	7A3993	\$2,425.00
SDS SCREEN PACKAGE 10'	7A6275	\$2,980.00
SDS SCREEN PACKAGE 11'	7A6841	\$2,980.00
SDS SCREEN PACKAGE 12'	7A5978	\$3,145.00
SDS SCREEN PACKAGE 13'	7A5025	\$3,202.00
SDS SCREEN PACKAGE 14'	7A5022	\$3,202.00
SDS SUMMER CHUTE (WINDROW)	7S3524	\$417.00
CHASSIS MOUNT CHUTE	7S3464	\$230.00
ROLLER TENSIONER ILO GREASE TAKE UP	7S5758	\$1,417.00
CONVEYOR CHAIN BAR FLIGHT EVERY LINK	7A6479	\$544.00
SDS 10 HYD. GREASE KIT WITH 1/4" HOSE	7A6295	\$544.00
OAK CUSHION SUMMER FLOOR (14' ONLY)	7S5590	\$3,802.00
CARBON CABGUARD FOR BRINE TANK	VARIES	\$821.00
STAINLESS CABGUARD FOR BRINE TANK	VARIES	\$1,554.00
DEALER TO SPECIFY 120 OR 160 GAL. TANK	SPECIFY	
SPEED SENSOR MOTOR (9'-11')	6B1142	\$631.00
SPEED SENSOR MOTOR (12'-15')	6B0875	\$631.00

NOTE: SDS BODIES INCLUDE CENTRAL GREASE LINES, STAINLESS FEED & RETURN LINES, SEALED SPINNER STRUT & DRIVE, BODY MOUNT CHUTE, POLY SPINNER, 24" CABSHIELD, AIRGATE, BASE BASKET, SAFETY PROP, REAR HINGE, BODY GUIDES, & TELESCOPIC HOIST.



HEAVY DUTY ONE-WAY PLOWS

MODEL	PART No.	2018 LIST
OWSK9-M-CT	4U5371	\$8,534.00
OWSK9-CT (STANDARD FRAME SHOES)	4U3725	\$10,266.00
OWSK9-CT (BANANA FRAME SHOES)	4U3725 + 4A4610	\$10,353.00
OWSK9-CT-RR85 (HYDRAULIC REVERSING)		\$14,302.00
OWSK9-HD-CT	4U3727	\$10,726.00
OWSK9H-CT (STANDARD FRAME SHOES)	4U4712	\$11,520.00
OWSK9H-CT (BANANA FRAME SHOES)	4U4712 + 4A4610	\$11,794.00
OWSK9H-HD-CT	4U3730	\$11,950.00
OWMK9HH-CT	4U2855	\$13,899.00
OWSK9-TE FULL CURL	4U3919	\$13,655.00
OWSK9-TE-URBAN (MANUAL REVERSING)	4U4069	\$12,038.00
OWSK9-TE-URBAN (HYDRAULIC REVERSING)	4U4223	\$14,159.00
OWSK10-CT	4U5079	\$10,972.00
OWSK10H-CT	4U3731	\$12,071.00

HEAVY DUTY ONE-WAY PLOW OPTIONS

DESCRIPTION	PART No.		2018 LIST
CONTINUOUS WELD MOLDBOARD RIBS ONLY	SPECIFY		\$433.00
60 DEGREE MOLDBOARD SHOES	9BO809	(1) PAIR	\$202.00
CARBIDE PUSHFRAME SHOES (STD)	9S0912	(1) PAIR	\$950.00
CARBIDE PUSHFRAME SHOES (MTO)	9BO785	(1) PAIR	\$966.00
3/4" X 6" CARBIDE BLADES (BULL NOSE TYPE)	VARIES	PER FOOT	\$147.00
1-1/2" X 10" RUBBER BLADE	VARIES	PER FOOT	\$97.00
1/2" X 8" COVER BLADE (FOR THE ABOVE)	VARIES		\$111.00
1/2" RUBBER FLAP (INSTALLED)	VARIES	PER FOOT	\$69.00
PLOW MARKERS (ORANGE REFLECTOR TYPE)	9BO816	(1) @ DIS.	\$28.00
PARKING LEG (ALL MODELS)	9BO648		\$119.00
POLY OVERLAY KIT	VARIES		\$2,147.00
QUICK TACH OSCILLATOR BAR	4S4252		\$244.00
QUIK-JAW INDEPENDENT OSCILLATOR BAR	4S4702		\$361.00
HYDRAULIC MOLDBOARD STRUT	VARIES		\$1,181.00
SS SKIN FOR ONE-WAY PLOW	VARIES		\$2,480.00

SEE PAGE 11 FOR ONE-WAY PLOW SPECIFICATIONS

NOTE: "HD" DENOTES MOLDBOARD MATERIAL. ALL PLOWS ARE DUAL PUNCHED TO ACCEPT 8" & 12" CENTER BLADES & ARE SHIPPED WITH A 12" PUNCHED BLADE STANDARD. STANDARD PAINT COLOR: ORANGE.



ONE-WAY PLOW SPECIFICATIONS

STANDARD EQUIPMENT FOR OWSK TRIP MOLDBOARD PLOWS

- NOSE SHOE
- (1) PAIR PUSHFRAME SHOES
- (1) PAIR 45 DEGREE MOLDBOARD SHOES
- OSCILLATOR BAR WITH DRIVE EARS ON 31" CENTERS
- AASHO 1/2" X 8" STEEL CUTTING EDGE
- 2-POINT LIFT CHAIN ARRANGEMENT
- PUSHFRAME WITH ADJUSTABLE SHOES
- COMPRESSION TRIP PUSHFRAME

OWSK TRIP MOLDBOARD PLOWS SPECIFICATIONS

MODEL	OWSK9	OWSK9-HD	OWSK9H	OWSK9H-HD	OWSK10H	OWSK10
WIDTH	9'	9'	9'	9'	10'	10'
INTAKE	26"	26"	35"	35"	35"	30"
DISCHARGE	54"	54"	64"	64"	66"	55"
MOLDBOARD	10 GAUGE	7 GAUGE	10 GAUGE	7 GAUGE	10 GAUGE	10 GAUGE
WEIGHT	2245 LBS	2335 LBS	2380 LBS	2475 LBS	2495 LBS	2375 LBS

STANDARD EQUIPMENT FOR OWSK TRIP EDGE PLOWS

MODEL	OWSK9-TE	OWSK9-TE-URBAN (MAN.)	OWSK9-TE-URBAN (HYD.)
WIDTH	9'	9'	9'
INTAKE	32"	30"	30"
DISCHARGE	60"	54"	54"
MOLDBOARD	10 GAUGE	10 GAUGE	10 GAUGE
WEIGHT	2740 LBS	2430 LBS	2524 LBS

OWSK MEDIUM TRIP MOLDBOARD PLOWS SPECIFICATIONS

MODEL	OWSK9-M-CT
WIDTH	9'
INTAKE	14"
DISCHARGE	42"
MOLDBOARD	10 GAUGE
WEIGHT	1266 LBS

**LIGHT DUTY TRIP EDGE REVERSIBLE PLOWS**

(FOR VEHICLES UP TO 20,000 GVWR)

POLYMER MOLDBOARD HYDRAULIC REVERSE

MODEL	PART No.	2018 LIST
RL096TE30PH	4U4319	\$5,984.00
RL108TE30PH	4U4321	\$6,440.00

LIGHT DUTY TRIP MOLDBOARD REVERSIBLE PLOWS

(FOR VEHICLES UP TO 20,000 GVWR)

STEEL MOLDBOARD HYDRAULIC REVERSE

MODEL	PART No.	2018 LIST
RLHD108TM34SH	4U4253	\$7,171.00
RLHD120TM34SH	4U3461	\$7,171.00

ONE-WAY STEEL MOLDBOARD HYDRAULIC REVERSE

MODEL	PART No.	2018 LIST
OWRL114S1540CSA-H	4U5341	\$8,345.00

VORTEX STEEL MOLDBOARD HYDRAULIC REVERSE

MODEL	PART No.	2018 LIST
VRL120S2737CSA-H	4U5339	\$9,208.00

LIGHT DUTY REVERSIBLE PLOW OPTIONS

DESCRIPTION	PART No.		2018 LIST
MOLDBOARD SHOES	4S1643	(1) PAIR	\$137.00
CURB SHOES (ROD TYPE)	4S1650	(1) PAIR	\$111.00
WRAP AROUND CURB SHOES	4P1095	(1) PAIR	\$137.00
3/4" X 6" CARBIDE BLADES (BULL NOSE TYPE)	VARIES	PER FOOT	\$147.00
1-1/2" X 10" RUBBER BLADE	VARIES	PER FOOT	\$97.00
1/2" X 8" COVER BLADE (FOR THE ABOVE)	VARIES		\$111.00
1/2" RUBBER FLAP (INSTALLED)	VARIES	PER FOOT	\$69.00
PLOW MARKERS (ORANGE REFLECTOR TYPE)	9BO816	(1) PAIR	\$56.00
PARKING LEG (ALL MODELS)	9BO648		\$119.00
SS SKIN FOR ONE-WAY & REVERSIBLE PLOW	VARIES		\$2,480.00

NOTE: ALL PLOWS ARE DUAL PUNCHED TO ACCEPT 8" & 12" CENTER BLADES & ARE SHIPPED WITH A 12" PUNCHED BLADE STANDARD.

STANDARD PAINT COLOR FOR RL MODELS: BLACK

STANDARD PAINT COLOR FOR RLHD MODELS: ORANGE.

STANDARD PAINT COLOR FOR OWRL & VRL MODELS: YELLOW.

**MEDIUM DUTY TRIP EDGE REVERSIBLE PLOWS**

(FOR VEHICLES UP TO 25,000 GVWR)

STEEL MOLDBOARD HYDRAULIC REVERSE

MODEL	PART No.	2018 LIST
RM120TEL36SH	4U3147	\$10,752.00
RM132TEL36SH	4U2885	\$10,952.00

POLYMER TRIP EDGE HYDRAULIC REVERSE

MODEL	PART No.	2018 LIST
RM120TEL36PH	4U1920	\$10,990.00
RM132TEL36PH	4U1922	\$11,187.00

MEDIUM DUTY TRIP MOLDBOARD REVERSIBLE PLOWS

(FOR VEHICLES UP TO 25,000 GVWR)

STEEL MOLDBOARD HYDRAULIC REVERSE

MODEL	PART No.	2018 LIST
RM120TML32SH	4A4530	\$9,595.00

MEDIUM DUTY REVERSIBLE PLOW OPTIONS

DESCRIPTION	PART No.		2018 LIST
CARBIDE MOLDBOARD SHOES	VARIES	(1) PAIR	\$698.00
3/4" X 6" CARBIDE BLADES (BULL NOSE TYPE)	VARIES	PER FOOT	\$147.00
1-1/2" X 10" RUBBER BLADE	VARIES	PER FOOT	\$97.00
1/2" X 8" COVER BLADE (FOR THE ABOVE)	VARIES		\$111.00
CABLE & DRUM KIT (BOLT-ON)	4A5738		\$433.00
1/2" RUBBER FLAP (INSTALLED)	VARIES	PER FOOT	\$69.00
ADJUSTABLE CASTER SHOES	4A4742	(1) PAIR	\$1,329.00
CASTER ASSEMBLY WITH MUSHROOM SHOE	4A1680	(1) PAIR	\$1,329.00
PLOW MARKERS (ORANGE REFLECTOR TYPE)	9BO816	(1) PAIR	\$56.00
PARKING LEG (ALL MODELS)	9BO648		\$119.00
SS SKIN FOR REVERSIBLE PLOW	VARIES		\$2,480.00

NOTE: ALL PLOWS ARE COMPLETE WITH CURB & MOLDBOARD SHOES & ARE DUAL PUNCHED TO ACCEPT 8" & 12" CENTER BLADES. PLOWS ARE SHIPPED WITH A 12" PUNCHED BLADE STANDARD. ALL MODELS HAVE A "J" CURVE MOLDBOARD. ALL MODELS ARE EQUIPPED WITH A 2-POINT LIFT CHAIN DEVICE.

STANDARD PAINT COLOR FOR STEEL MODELS: ORANGE

STANDARD PAINT COLOR FOR POLYMER MODELS: BLACK



HEAVY DUTY TRIP EDGE REVERSIBLE PLOWS

STEEL MOLDBOARD HYDRAULIC REVERSE

MODEL	PART No.	2018 LIST
R120TEL39SH	4U2104	\$12,179.00
R132TEL39SH	4U2032	\$12,401.00
R132TEL45SH	4U2074	\$13,052.00
R132TEL3654SH VORTEX	4U4801	\$14,363.00
R132TEL3654SH BUTTERFLY	4U3345	\$14,907.00
R144TEL45SH	4U2173	\$13,151.00
R144TEL3656SH VORTEX	4U5343	\$14,724.00
R144TEL3656SH BUTTERFLY	4U5869	\$15,748.00

POLYMER MOLDBOARD HYDRAULIC REVERSE

MODEL	PART No.	2018 LIST
R120TEL39PH	4U2116	\$13,315.00
R132TEL39PH	4U2068	\$13,454.00
R132TEL45PH	4U2025	\$13,730.00
R132TEWPH-3T	4U4855	\$15,433.00
R144TEL39PH	4U2167	\$14,242.00
R144TEL45PH	4U2185	\$14,242.00

HEAVY DUTY TRIP MOLDBOARD REVERSIBLE PLOWS

STEEL MOLDBOARD HYDRAULIC REVERSE

MODEL	PART No.	2018 LIST
RHS120TML36SH	4U2220	\$11,867.00
RHS132TML36SH	4U1969	\$11,879.00
RHS132TML45SH	4U2243	\$12,052.00
RHS132TML3654SH VORTEX	4U4428	\$12,565.00
RHS132TML3654SH BUTTERFLY	4U3336	\$13,778.00
OWRS132TML3155SH	4U3241	\$13,008.00
RHS144TML36SH	4U2013	\$12,252.00
RHS144TML45SH	4U2266	\$12,252.00
RHS144TML3656SH VORTEX	4U4765	\$13,399.00
RHS144TML3656SH BUTTERFLY	4U2760	\$14,141.00

SEE PAGE 15 FOR HEAVY DUTY REVERSIBLE PLOW OPTIONS

NOTE: ALL PLOWS ARE COMPLETE WITH CURB & MOLDBOARD SHOES & ARE DUAL PUNCHED TO ACCEPT 8" & 12" CENTER BLADES. PLOWS ARE SHIPPED WITH A 12" PUNCHED BLADE STANDARD. ALL MODELS HAVE A "J" CURVE MOLDBOARD. ALL MODELS ARE EQUIPPED WITH A 2-POINT LIFT CHAIN DEVICE.

STANDARD PAINT COLOR FOR STEEL MODELS: ORANGE



HEAVY DUTY REVERSIBLE PLOW OPTIONS

DESCRIPTION	PART No.		2018 LIST
CARBIDE MOLDBOARD SHOES	VARIES	(1) PAIR	\$762.00
3/4" X 6" CARBIDE BLADES (BULL NOSE TYPE)	VARIES	PER FOOT	\$147.00
1-1/2" X 10" RUBBER BLADE	VARIES	PER FOOT	\$97.00
1/2" X 8" COVER BLADE (FOR THE ABOVE)	VARIES		\$111.00
CABLE & DRUM KIT (BOLT-ON)	4A5738		\$431.00
1/2" RUBBER FLAP (INSTALLED)	VARIES	PER FOOT	\$69.00
CASTER ASSEMBLY WITH MUSHROOM SHOE	4A1680	(1) PAIR	\$1,329.00
CASTER ASSEMBLY WITH 8" WHEEL	4A1939	(1) PAIR	\$1,629.00
CASTER ASSEMBLY WITH 10" WHEEL	4A2444	(1) PAIR	\$1,629.00
OSCILLATOR BAR WITH EXTENDED EARS	4S4045		\$264.00
RTE/RHS QUICK TACH OSCILLATOR BAR	4S4250		\$236.00
RTE/RHS QUIK-JAW INDEPENDENT OSC. BAR	4S4786		\$486.00
RTE/RHS QUIK-JAW LEVER TYPE OSC. BAR	4S5169		\$373.00
PARKING LEG (ALL MODELS)	9BO648		\$119.00
PLOW MARKERS (ORANGE REFLECTOR TYPE)	9BO816	(1) PAIR	\$56.00
"HD" 7 GAUGE SKIN PLATE	VARIES		\$500.00
SEVERE SERVICE PIN	4S3195		\$567.00
MANUAL LOCK-OUT PIN ("RHS" PLOW ONLY)	4A1890		\$222.00
GEAR REVERSE DRIVE FRAME	VARIES		\$996.00
SS SKIN FOR REVERSIBLE PLOW	VARIES		\$2,480.00



HITCHES

LIGHT DUTY HITCH

MODEL	PART No.	2018 LIST
F550 SUPER DUTY HITCH WITH MOUNT KIT	3A7036	\$3,313.00

MEDIUM DUTY HITCH

MODEL	PART No.	2018 LIST
PT-M HITCH WITH MOUNT KIT	3A6974	\$4,581.00

HEAVY DUTY LOW MOUNT HITCHES

MODEL	PART No.	2018 LIST
LM HITCH 2012 MAST ONLY	3A6016	\$3,784.00
LM HITCH 2012 WITH MOUNT KIT	3A6016 + VARIES	\$4,772.00
LOW MOUNT HITCH WITH MOUNT KIT	3A4715	\$4,772.00

HEAVY DUTY POWER TILT HITCHES

MODEL	PART No.	2018 LIST
PT HITCH MAST ONLY	3A3501	\$3,462.00
PT HITCH WITH MOUNT KIT	3A3501 + VARIES	\$4,748.00

NOTE: PT HITCH CYLINDER 6B0963 PROVIDES 10" OF LIFT. USE 6B0893 IF 14" IS REQUIRED.

HEAVY DUTY POWER TILT QUICK COUPLING HITCHES

MODEL	PART No.	2018 LIST
PT QC-M MAST ONLY*	3A1505	\$6,744.00
PT QC-M HITCH WITH MOUNT KIT*	3A1505 + VARIES	\$7,986.00
*INCLUDES 3S2061 TILT KIT		
PT QC-DM HITCH WITH MOUNT KIT	3A4521 + VARIES	\$9,442.00

HITCH OPTIONS

DESCRIPTION	PART No.	2018 LIST
EXTENDABLE NOSE PIECE	VARIES	\$514.00
COUPLER WITH LOOSE ARROWHEAD	4A0820	\$1,815.00
JAW LOCK CENTER LOOP	4A4122	\$1,722.00
DROP PIN CENTER LOOP LOW PROFILE	4A5147	\$1,722.00
QUICK TACH MANUAL LOCK	3A2032	(1) PAIR \$597.00
QUIK-JAW AUTO LOCK	3A5048	(1) PAIR \$556.00
QUIK-JAW LEVER LOCK WITH EARS	3A5297	\$1,248.00
QUIK-JAW LEVER LOCK NO EARS	3A6696	\$806.00
SD QUIK-JAW RECEIVER HITCH PORTION	3A5999	\$581.00

SEE PAGE 17 FOR CHASSIS DATA FORM (NEEDS TO BE FILLED FOR ALL HITCH ORDER)

SEE PAGE 18 FOR QUICK COUPLER OPTIONS

NOTE: HITCHES WITH CHEEKPLATES INCLUDE MOUNTING BRACKETS, BALLFOOT BRACES, & FASTENERS. MAST ONLY INDICATES NO FRAME MOUNTING HARDWARE INCLUDED.



EVEREST EQUIPMENT CO.
HEAVY- DUTY SNOW & ICE CONTROL



TRUCK CHASSIS DATA FORM

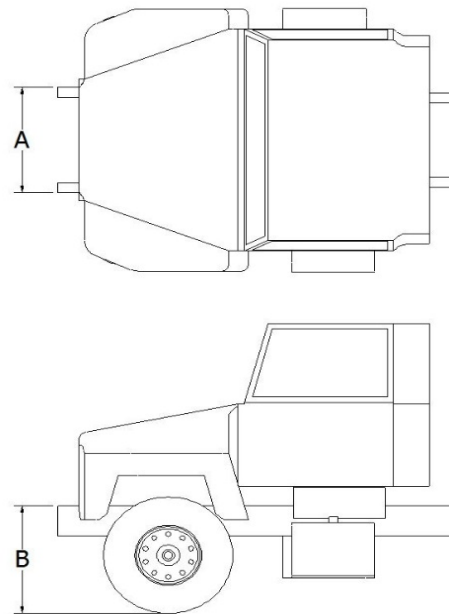
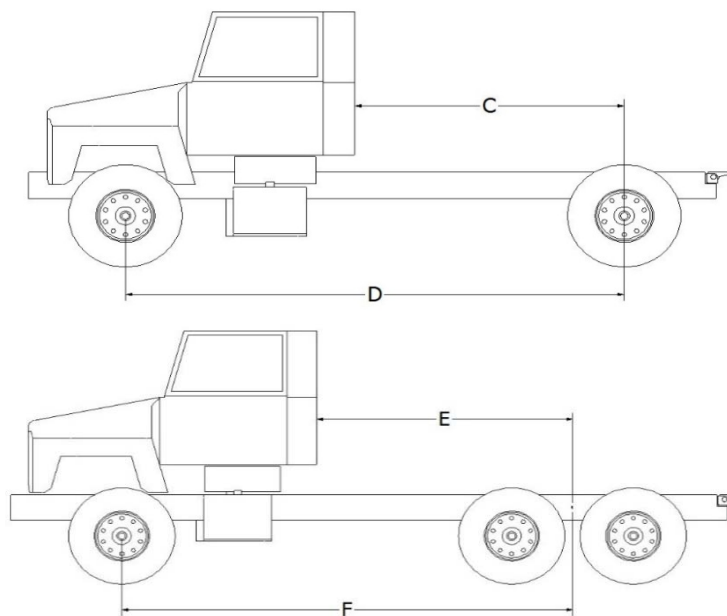
GENERAL INFORMATIONS		
DATE:	DEALER:	CLIENT:
YEAR:	MAKE:	MODEL:
TILT HOOD: Y <input type="checkbox"/> N <input type="checkbox"/>	FIXED GRILL: Y <input type="checkbox"/> N <input type="checkbox"/>	AXLE: BACK <input type="checkbox"/> FWD <input type="checkbox"/>

G.V.W. (GROSS VEHICLE WEIGHT)		
FRONT AXLE EMPTY (lbs):	REAR AXLE EMPTY (lbs):	TOTAL EMPTY (lbs):

G.A.W.R (GROSS AXLE WEIGHT RATING)	
FRONT AXLE (lbs):	REAR AXLE (lbs):

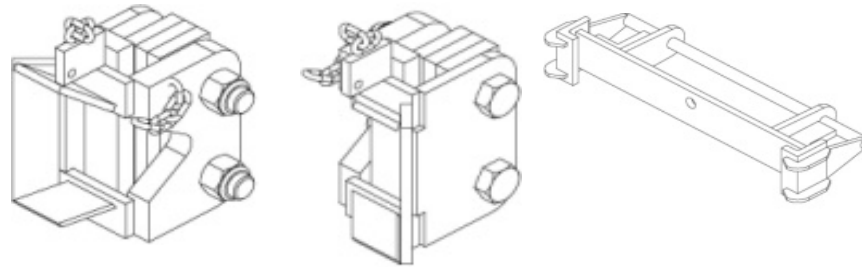
DRIVE AXLE	
4 X 2	6 X 4
4 X 4	6 X 6
6 X 2	

DIMENSIONS REQUIRED	
FRAME WIDTH O.D. (A)	CA OR CT (C OR E):
FRAME HEIGHT (B)	WHEEL BASE (D OR F):

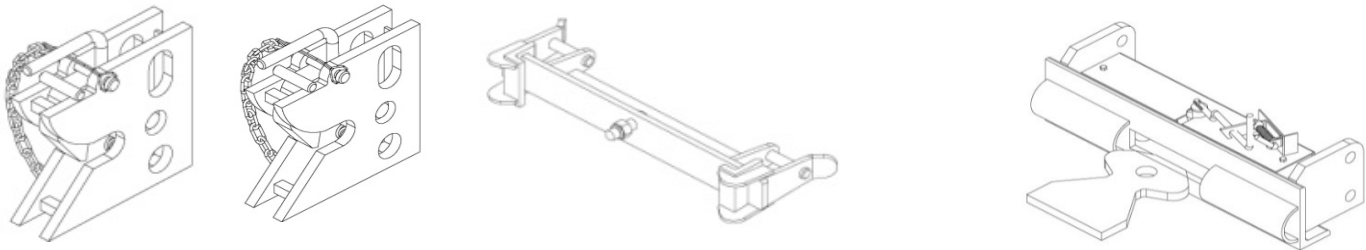




QUICK COUPLER OPTIONS

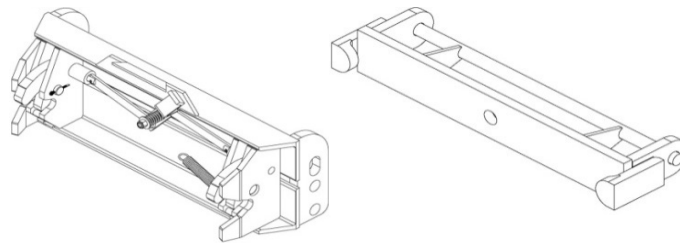


3A2032 QUICK TACH COUPLERS PAIR UP WITH
4S4252 QUICK TACH OSCILLATOR BAR (OWSK PLOW)
4S4250 QUICK TACH OSCILLATOR BAR (RTE & RHS PLOWS)

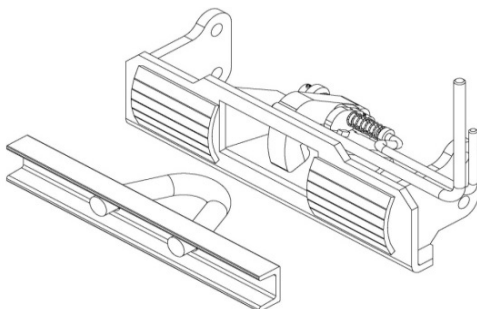


3A5048 QUICK-JAW COUPLERS PAIR UP WITH
4S4702 QC INDEPENDENT OSCILLATOR BAR (OWSK PLOW)

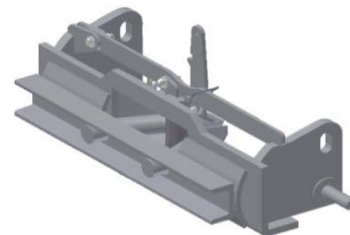
4A0820 ARROWHEAD COUPLER
REQUIRES STANDARD



3A5297 QUIK-JAW LEVER TYPE COUPLER
REQUIRES 4S5169 QC OSCILLATOR BAR (RTE PLOWS)



4A4122 JAW LOCK CENTER LOOP COUPLER
SHIPS WITH LOOP PORTION. NO OSCILLATOR
BAR REQUIRED.



4A5147 DROP PIN CENTER LOOP LOW PROFILE COUPLER
SHIPS WITH LOOP PORTION. NO OSCILLATOR BAR
REQUIRED.



WING SYSTEMS

CABLE & HYDRAULIC MODULAR LEVELING WING TOWER WING SYSTEMS

MODEL (RT/FT/TRIP/ARMS)	PART No.	2018 LIST
ACC36/HCC36/ST/68	3U3112	\$15,622.00
ACC36/HCC72/ST/68	3U4096	\$16,285.00
ACC36/HCC36/ST/68 DUAL	3U4097	\$28,806.00
ACC54/HCC72/ST/68	3U2218	\$16,239.00
ACC54/HCC72/ST/68 DUAL	3U3139	\$30,804.00

FULL HYDRAULIC MODULAR LEVELING WING TOWER WING SYSTEMS

MODEL (RT/FT/TRIP/ARMS)	PART No.	2018 LIST
ACP36/ACP36/ST/62	3U3140	\$12,565.00
ACP48/ACP48/ST/62	3U2241	\$12,954.00
ACP60/ACP60/ST/62	3U4098	\$14,260.00
ACP48/ACP48/WT-EA	3U5990	\$15,313.00

NOTE: PRICE REMAINS THE SAME FOR NON-TRIP ACP SYSTEMS.

FULL HYDRAULIC PATROL STYLE WING SYSTEMS

MODEL (RT/FT/TRIP/ARMS)	PART No.	2018 LIST
ACPF/ACP36/ST/62	3U2244	\$10,639.00
ACPF/HCC36/ST/62	3U2212	\$10,639.00
ACPF-UT/HCC36/ST/62 NON-TELESCOPIC	3UXXXX	\$11,474.00
ACPF-UT/HCC36/ST/40 TELESCOPIC	3U2008	\$13,373.00
ACPF-UT/ACP36/ST/40 TELESCOPIC	3U3141	\$13,373.00
ACPFM/ACP36M/ST/60 (USE WITH PT-M HITCH)	3U3202	\$8,817.00
ACP24M/ACP36M/ST/60	3U4668	\$10,288.00
ACPLF/ACPL16/ST/60 (NO OIL TANK)	3U3632	\$7,437.00
ACPEA/ACP48/WT (NO OIL TANK)	3U3892	\$13,617.00
ACPF MID MOUNT RH	3U5679	\$8,661.00
ACPF MID MOUNT LH	3U5708	\$9,611.00
UPGRADE TO ACPF/ACP REAR TOWER QC SYSTEM		\$823.00

OPTIONAL EQUIPMENT

DESCRIPTION	PART No.	2018 LIST
14" REAR SLIDER BRACKET (NO TRAVEL POS.)	3S6040	\$665.00
UPGRADE TO 72" WING ARMS (ACP)	3A2040	\$292.00
UPGRADE TO "WT" RUBBER SAFETY TRIP	0A1590	\$1,236.00
MANUAL WING TRAVEL POSITIONER (ACP)	3A1946	\$1,395.00
AIR ASSISTED WING TRAVEL POS. (ACP)	3A4552	\$2,046.00
HYDRAULIC TRAVEL POS. (ALL SYSTEMS)	3A5329	\$2,046.00
ACP QC REAR TOWER DEMOUNT CART	3A4880	\$996.00
ACPF QC REAR TOWER CART	3A6851	\$996.00
WING CASTER (SOLD WITH 3A4880 & 3A6851)	3A6965	\$230.00
OIL TANK ACC/ACX 45 GAL. (SADDLE MOUNT)	3A1072	\$1,663.00
OIL TANK ACP 35 GAL. (SADDLE MOUNT)	6A0323	\$744.00
OIL TANK ACP 40 GAL. (SADDLE MOUNT)	6A0426	\$1,236.00
OIL TANK ACPF (CHASSIS MOUNT)	6A0080	\$744.00
OIL TANK ACP (MORRISVILLE)	3A4996	\$1,431.00

NOTE: ALL WING SYSTEMS INCLUDE HYDRAULIC TANKS UNLESS NOTED.



WINGS

10 DEGREE ATTACK ANGLE WINGS

MODEL (RIGHT HAND)	PART No.	MODEL (LEFT HAND)	PART No.	2018 LIST
W132-10	3A4235	W132-10-LH	3A4317	\$3,694.00
W132-HD-10	3A5675	W132-HD-10-LH	3A7109	\$3,986.00
W144-10	3A4212	W144-10-LH	3A4319	\$3,764.00
W144-HD-10	3A5630	W144-HD-10-LH	3AXXXX	\$4,097.00
W156-HD-10	3A5202	W156-HD-10-LH	3AXXXX	\$4,169.00
W168-10	3A4274	W168-10-LH	3A4282	\$4,581.00

15 DEGREE ATTACK ANGLE WINGS

MODEL (RIGHT HAND)	PART No.	MODEL (LEFT HAND)	PART No.	2018 LIST
W132-P-15	3A4389	W132-P-15-LH	3AXXXX	\$3,349.00
W144-P-15	3A6775	W144-P-15-LH	3AXXXX	\$4,288.00

22 DEGREE ATTACK ANGLE WINGS

MODEL (RIGHT HAND)	PART No.	MODEL (LEFT HAND)	PART No.	2018 LIST
W120-22*	3A5603	W120-22-LH*	3A5657	\$3,377.00
W120-HD-22*	3A5654	W120-HD-22-LH*	3A5660	\$3,488.00
W132-22*	3A5588	W132-22-LH*	3A5651	\$3,694.00
W132-HD-22*	3A5648	W132-HD-22-LH*	3AXXXX	\$3,986.00
W132-TE-HD-22	3A6012	W132-TE-HD-22-LH	3AXXXX	\$5,399.00
W144-22*	3A5322	W144-22-LH*	3A5641	\$3,764.00
W144-HD-22*	3A5633	W144-HD-22-LH*	3A5645	\$4,097.00
W144-TE-HD-22	3A6004	W144-TE-HD-22-LH	3A6237	\$5,399.00
W156-HD-22*	3A6197	W156-HD-22-LH*	3A3566	\$4,083.00
W168-HD-22*	3A2749	W168-HD-22-LH*	3A2883	\$4,681.00
W180-HD-22*	3A5910			\$4,349.00
		W180-HD-22-LH*	3A6101	\$4,944.00

NOTE: WING MODELS FOLLOWED BY A (*) INCLUDE CONTINUOUS WELD MOLDBOARD RIBS.

MID MOUNT PATROL WINGS

MODEL (RIGHT HAND)	PART No.	MODEL (LEFT HAND)	PART No.	2018 LIST
MM WING 10' RH	3A5413			\$3,266.00
		MM WING 10' LH	3A5416	\$3,944.00
MM WING 11' RH	3A5679			\$3,363.00
		MM WING 11' LH	3A5704	\$4,038.00

OPTIONAL EQUIPMENT

DESCRIPTION	PART No.	2018 LIST
WING BRACKET	VARIES	\$292.00
POLY OVERLAY KIT	VARIES	\$1,085.00
3/4" X 6" CARBIDE BLADES (BULL NOSE TYPE)	VARIES PER FOOT	\$147.00
1-1/2" X 10" RUBBER BLADE	VARIES PER FOOT	\$97.00
1/2" X 8" COVER BLADE (FOR THE ABOVE)	VARIES	\$111.00
PLOW MARKERS (ORANGE REFLECTOR TYPE)	9BO816 (1) @ DIS.	\$28.00
PARKING LEG (ALL MODELS)	9BO648	\$119.00
SS SKIN FOR WING	VARIES	\$1,290.00

NOTE: WING ARMS & BRACKETS ARE INCLUDED WITH WING SYSTEMS. WHEN PURCHASING A REPLACEMENT WING, ALSO PURCHASE THE BRACKET. ALL WINGS INCLUDE (2) MOLDBOARD SHOES & ARE DUAL PUNCHED TO ACCEPT 8" & 12" CENTER BLADES. WINGS ARE SHIPPED WITH A 12" PUNCHED BLADE STANDARD. ALL WING BLADE LENGTHS ARE 12" LESS THAN DESIGNATION.

STANDARD PAINT COLOR: ORANGE.



Stainless Dump Bodies

Description	Part #	LIST
MS Stainless		
MS10SS2636-H1 SS Floor	11A2094	\$21,772.00
MS10SS2636-H1-SF SS floor	11A2411	\$22,083.00
MS10SS3036-H3 AR Floor	11A2059	\$19,611.00
MS10SS3642-H3 AR Floor	11A2522	\$19,728.00
MS10SS3042-H1 AR Floor	11A1841	\$20,206.00
MS10SS3642-H1 AR Floor	11A1328	\$20,484.00
MS11SS2636-H1 AR Floor	11A2311	\$20,417.00
MR Stainless		
MR12SS3039-H1 HT Floor	11A1995	\$30,385.00
MR13SS4860-H1 AR Floor	11A2452	\$30,268.00
MR14SS4854-H1-SG SS Floor	11A1348	\$32,964.00
MR14SS4854-H1-SG AR Floor	11A2525	\$27,758.00
MR14SS4860-H1 HT Floor	11A2420	\$28,179.00
MR15SS42480H1 AR Floor	11A0664	\$29,738.00
MR15SS4854-H1-SG HT Floor	11A2594	\$33,728.00
KBS Stainless		
KBS09SS2636-H3 AR Floor	11A2113	\$18,730.00
KBS10SS2636-H3 AR Floor	11A1253	\$19,313.00
KBS10SS3039-H3 SS Floor	11A0982	\$21,825.00
KBS10SS3039-H3 AR Floor	11A2084	\$19,750.00
KBS11SS3039-H3 AR Floor	11A2269	\$20,208.00
KBT Stainless		
KBTT14SS4854-H1 SS Floor	11A2610	\$31,931.00
KBTT14SS4854-H1-SG SS Floor	11A2628	\$32,264.00
MSL Stainless		
MSL9SS1620-H10 SS Floor	11A0929	\$17,940.00
MSL10SS1620-H10 SS Floor	11A1601	\$18,728.00
Options:		
24" MSL cab guard	11S0967	\$1,888.00
24" MS/MR/KB cab guard	11A1011	\$1,656.00
MSL Lever type coal door installed	11A0795	\$891.00
MS/MR/KB Lever type coal door installed	11A2396	\$698.00
SS folding ladder	11S0243	\$358.00
SS grip strut walk rail	XXXX	\$604.00
SS rebar tarp rod	XXXX	\$220.00
12" bolt on SS apron	11S0064	\$1,020.00
SS shovel holder	11S1073	\$94.00



MODEL	Part Number	LIST
LSD09 SS 1620-H10-GT	11U1580	\$38,113.00
SDSLS10 SS 1520-H1-GT	11U1554	\$43,784.00
SDS09 SS 3039-H1	11U1813	\$44,349.00
SDS10 SS 3039-H1	11U1695	\$41,881.00
SDS11 SS 3039-H1	11U1792	\$44,349.00
SDS12 SS 3850-H1	11U1803	\$50,542.00
SDS13 SS 3850-H1	11U1723	\$55,448.00
SDS14 SS 3850-H1	11U1509	\$53,726.00
SDS15 SS 3850-H1	11U1779	\$68,008.00

SDS-SS Optional Equipment

SDS body mount chute SS	11S1545	\$312.00
SDS poly liner for chute 11S1545 (body mt)	7S6007	\$228.00
SDS body mount chute poly	7S5874	\$312.00
SDS chute chassis mnt SS	11S1317	\$312.00
Coal door SDSL SS flush mnt lever 16"	11A0795	\$624.00
Coal door SDS SS flush mnt 16"	11A1447	\$624.00
Install cost per coal door		
Fold up ladder SS	11A1467	\$486.00
Shovel holder SS	11S1073	\$120.00
SDS 12" spill pan SS	11A1525	\$1,021.00
Tarp Rod SS (Price is per body foot)		\$36.00
Roller Tensioner	7S5758	\$1,357.00
Hyd motor w/ speed sensor (SDS 9 - 12)	6B1142	\$348.00
Hyd motor w/ speed sensor (SDS 13 +14)	6B0875	\$348.00
Cabguard 24" - Brine Tank compatible	11A1186	\$2,573.00



Model	Yardage	Part #	LIST
Carbon Steel			
Front or Rear Spread			
CDS10W3444-H1	7.5-9.5		\$34,929.00
CDS12W4654-H1	12-14		\$41,212.00
CDS13W4654-H1	13-15		\$41,212.00
CDS14W4654-H1	14-16	13A1509	\$43,361.00
CDS15W4654-H1			\$48,818.00
Stainless Steel			
Front or Rear Spread			
CDS10SS3444-H1	7.5-9.5	13A1264	\$49,950.00
CDS12SS3444-H1			\$51,066.00
CDS13SS4654-H1	13-15	13A1469	\$59,751.00
CDS14SS4654-H1	14-16	13A1633	\$60,410.00
CDS15SS4654-H1			\$62,517.00

Note:

SS bodies include AR400 floor, conveyor tray and longsills.

Options

Front Discharge Only front disch door, spinner assembly included, no rear disch door

Rear Discharge Only Rear disch door, spinner assembly included

Front and Rear combination Spread: Includes front disch door and spinner only.

Front and Rear Spread	Includes front spinner only	\$2,521.00
Upgrade floor, conveyor tray, longsills to 304SS on SS units		\$2,480.00
Screens	10'	\$1,963.00
Screens	11'	\$1,963.00
Screens	12'	\$2,790.00
Screens	13'	\$2,997.00
Screens	14'	\$2,997.00
Screens	15'	\$3,204.00
Summer conveyor cover		INCL
24" cab shield		INCL
Air tailgate control		INCL
Poly Removable Underbody Pan		INCL
24" Poly spinner disc		INCL
12" Spreader apron carbon steel	13S2115	\$336.00
12" 304SS Spreader apron	13S2117	\$984.00
Add'l coal door, shipped loose (Lever type left or right side only, installed)		\$508.00
Rear discharge door when needed with combination spread, installed		\$1,114.00
Rear spinner- when requested with combination unit		\$833.00
Spinner deflector hinged type in lieu of fixed		\$370.00
2-step fold up ladder shipped loose		\$208.00
Tarp rods, 3/4" shipped loose		\$69.00
Central Grease line system		\$1,528.00
Oval light holes in rear post		\$127.00
Double acting hoist		\$961.00
Hydraulic metering discharge door		\$556.00